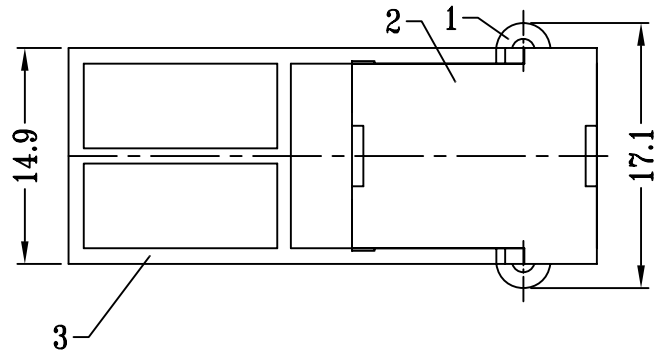
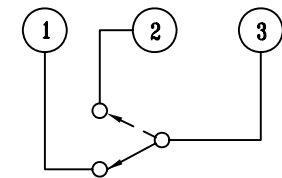
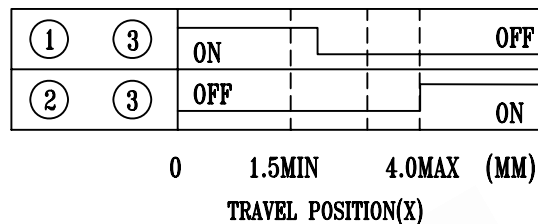


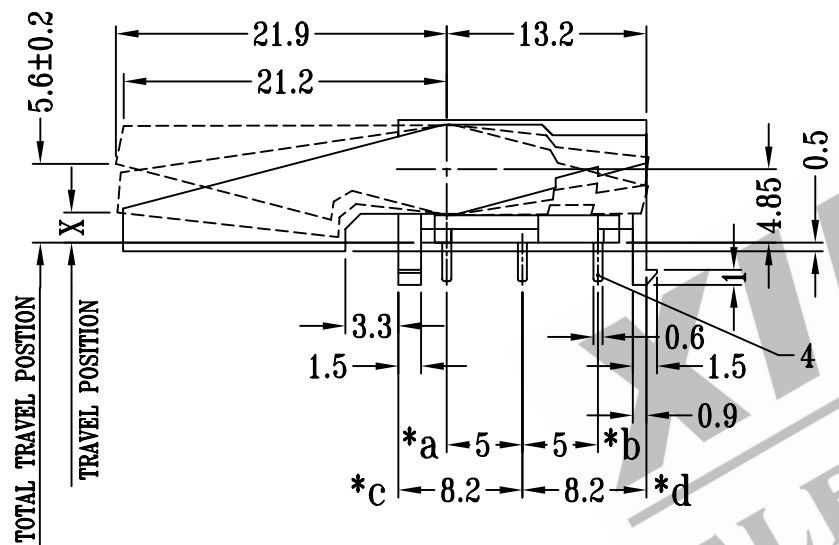
CAD FILE:



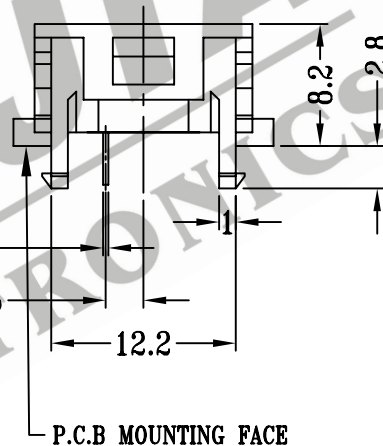
TIMING LAG DIAGRAM



SCHEMATIC (NON-SHORTING)

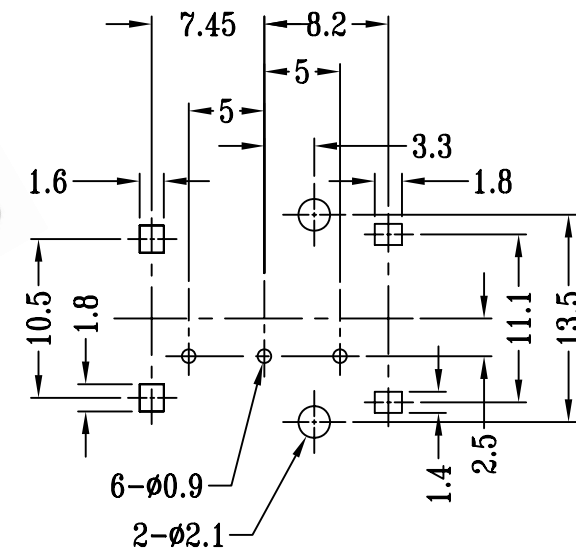


0.33 THK



P.C.B MOUNTING FACE

OPERATING FORCE: 50±20gf



P.C.B LAYOUT

注:带"*"表示关键尺寸(7个)

8					TOLERANCE	SHENZHEN XIEJIA ELECTRONICS CO.,LTD.				
7	TERMINAL	BRASS STRIP/NYLON	2	Ag PLATED OVER Ni PLATED/BLACK	UNLESS SPECIFIED					
6	SLIDER	NYLON+F.G	1	BLACK	WITHIN: 1.5±0.1mm	ISSUE	DATE	DESCRIPTIONS		APPD.
5	SPRING	SUS	1	TEMPER	OVER : 1.5±0.2mm					
4	CONTACT CLIP	PBS	2	Ag CLAD	TITLE : HOOK SWITCH		UNIT : MM	DRWG NO.: XJ-DR-HS12L03-00		
3	KNOB	POM	1	WHITE	MODEL: HS-12L03		SCALE: 2 : 1	DWN.	ZHOUYU	2005-1-29
2	COVER	POM	1	BLUE	ALL MATERIALS MUST BE COMPLIANT TO ROHS			CHK'D	FANGYING	2005-1-29
1	CASE	NYLON+F.G	1	BLACK				APPD.	KANGXINAN	2005-1-29
NO.	PART NAME	MATERIAL	Q'TY	FINISHING						